

CLIMATE CONTROLS MINI

Room temperature controls TS 10.00 knx



Overview

- Sensor for temperature measurement
- Temperature control over KNX
- Temperature sensor (Measuring range 0°...+50° C)
- Clearly structured ETS
- Easy handling and mounting
- Various mounting capabilities
- Compact housing

Order numbers

■ müller

TS 10.00 knx

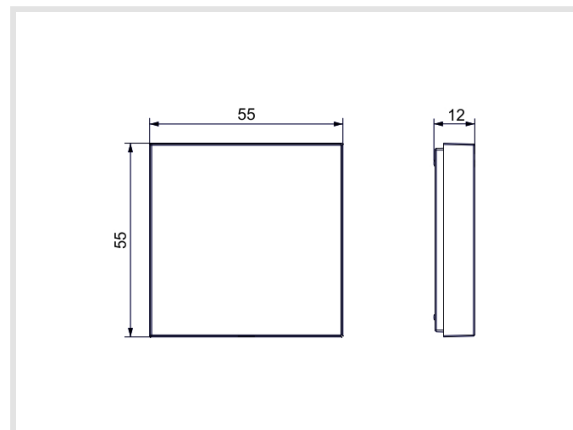
Room temperature
control

CLIMATE CONTROLS MINI

Room temperature controls TS 10.00 knx

Technical data

Supply voltage	via KNX bus voltage
Bus current	< 10 mA
Bus system	KNX
Sensors	Temperature
Measuring range temperature	0°...+50° C
Permitted ambient temperature	-10°...+45° C
Housing	self-extinguishing thermoplastic
Housing color	studio white (similar to RAL 9016) Specific colors on request
Mounting	wall mounting in frame (55x55) wall mounting with mounting angle
Type of connection (KNX)	PCB push-in terminal block
Type of protection	According to DIN EN 60529: IP X1 IP X4 at mounting with mounting angle
Class of protection	III when installed according to regulations
Type of connection external inputs	Wire diameter max. 6 x 0,5 mm ² strip length 7 mm



Functions and data provided to KNX bus:

Temperature	Value output Control heating (2-point- and PI control) Control cooling (2-point- and PI control) Alarms
and much more...	

Rights to technical amendments reserved / Technische Änderungen vorbehalten
Droits de modifications techniques réservés / Suscettibile di errori e modifiche