

## CLIMATE CONTROLS MINI

Air quality sensors & controls GS 20.00 knx



### Overview

- Detection of air quality
- VOC-sensor (Measuring range 0...5.000 µg/m<sup>3</sup>)
- Humidity sensor (Measuring range 0...100% rel. humidity)
- Temperature sensor (Measuring range 0°...+50° C)
- Atmospheric pressure sensor
- Clearly structured ETS
- Easy handling and mounting
- Various mounting capabilities
- Compact housing

### Order numbers

■ müller

GS 20.00 knx

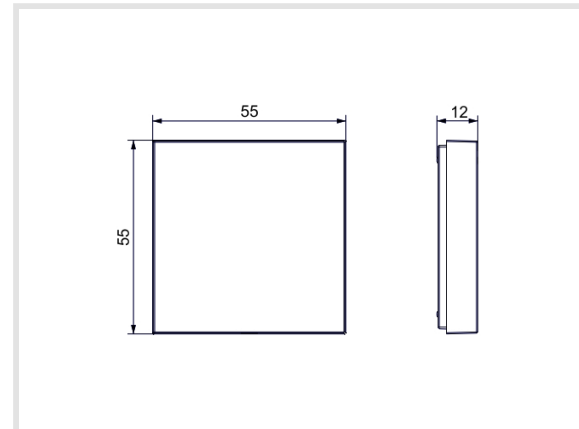
VOC- air quality sensor  
& control

# CLIMATE CONTROLS MINI

## Air quality sensors & controls GS 20.00 knx

### Technical data

Supply voltage	via KNX bus voltage
Bus current	< 10 mA
Bus system	KNX
Sensors	VOC Temperature Relative humidity Atmospheric pressure Dew point
Measuring range VOC	0...5.000µg/m³
Measuring range temperature	0°...+50° C
Measuring range relative humidity	0...100%
Measuring range atmospheric pressure	300...1.100 hPa
Permitted ambient temperature	-10°...+45° C
Housing	self-extinguishing thermoplastic
Housing color	studio white (similar to RAL 9016) Specific colors on request
Mounting	wall mounting in frame (55x55) wall mounting with mounting angle
Type of connection (KNX)	PCB push-in terminal block
Type of protection	According to DIN EN 60529: IP X1 IP X4 at mounting with mounting angle
Class of protection	III when installed according to regulations
Type of connection external inputs	Wire diameter max. 6 x 0,5 mm² strip length 7 mm



### Functions and data provided to KNX bus:

VOC	Value output Control (step and PI control)
Relative humidity	Value output Control (step and PI control)
Temperature	Value output Control heating (2-point- and PI control) Control cooling (2-point- and PI control) Alarms
Dewpoint	Value output Alarms
Air pressure	Value output
VAV control	Value output (0...100%)
and much more...	

Rights to technical amendments reserved / Technische Änderungen vorbehalten  
Droits de modifications techniques réservés / Suscettibile di errori e modifiche