

FEATURES

- Comb busbar for the following devices:
 - ZACMB66CB:
 - MAXinBOX 66 vx
 - ZACMB8CB:
 - MAXinBOX 8 vx
 - MAXinBOX SHUTTER 4CH vx
 - ZACMB12CB:
 - MAXinBOX 12
 - ZACMB16CB:
 - MAXinBOX 16 vx
 - MAXinBOX SHUTTER 8CH vx
 - ZACMB20CB:
 - MAXinBOX 20
 - ZACMB24CB:
 - MAXinBOX 24 vx
 - ZACAB1612CB:
 - ALLinBOX 1612 v2
- Fire resistance: 960 °C (30 s) conforming to IEC 60695-2-11
- Conformity with the CE, UKCA, RCM directives (marks on the device)

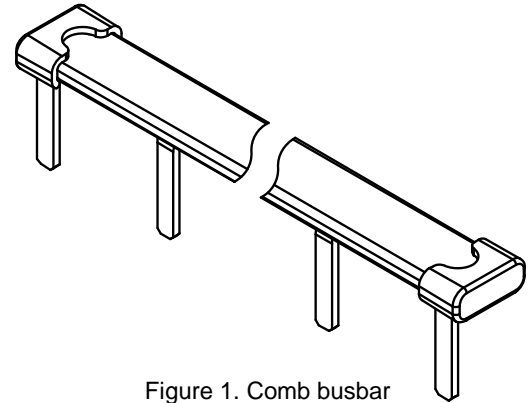
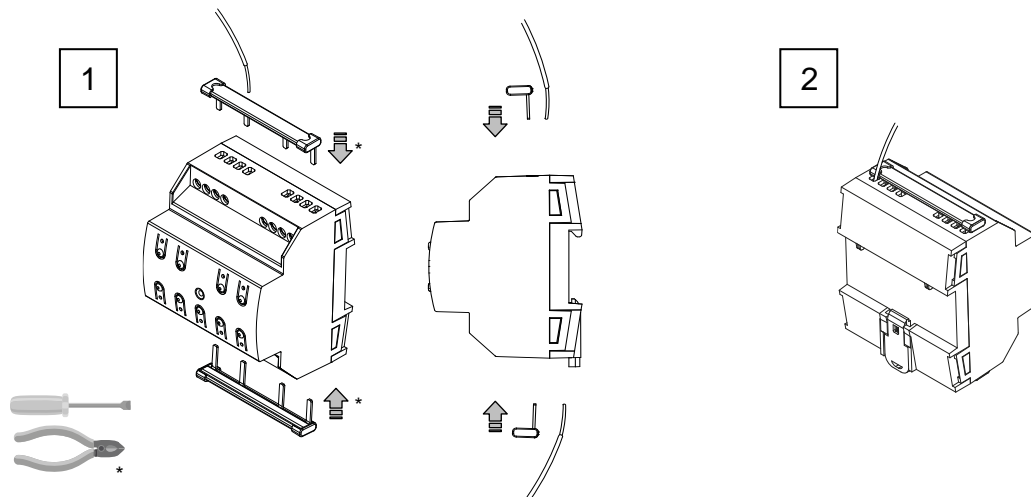


Figure 1. Comb busbar

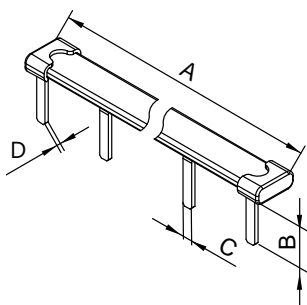
GENERAL SPECIFICATIONS	
CONCEPT	DESCRIPTION
Rated current	16 A
Connection method	Screw terminal block (0.25 Nm max.)
Operation temperature	0 .. +55 °C
Storage temperature	-20 .. +55 °C
Operation humidity	5 .. 95% RH
Storage humidity	5 .. 95% RH
Installation	Independent device to be installed in actuators.
Connection method	Pin type
Weight	ZACMB66CB (7.3 g) ZACMB8CB (13.5 g) ZACMB12CB (18 g) ZACMB16CB (21.4 g) ZACMB20CB (29.6 g) ZACMB24CB (32.3 g) ZACAB1612CB (17.7 g)
Housing material	ABS and Copper

INSTALLATION INSTRUCTIONS




* This accessory can be cut with a conventional cutting tool. It is recommended to remove the copper sheet to make the cut on both parts. Then, insert the cut copper sheet into the profile and cover it with another plug.

DIMENSIONS (mm)



	A	B	C	D	Nº OF POLES
ZACMB8CB / ZACMB66CB	72	12	2.6	1	4
ZACMB16CB	110	12	2.6	1	8
ZACMB24CB	172	12	2.6	1	12
ZACAB1612CB	93	9	2.5	1.2	4
ZACMB12CB	96	12	2.6	1	6
ZACMB20CB	163	12	2.6	1	10

SAFETY INSTRUCTIONS AND ADDITIONAL NOTES

- Installation should only be performed by qualified professionals according to the laws and regulations applicable in each country.
- The facility must be equipped with a device that ensures the omnipolar sectioning. Installation of a 16 A mini-circuit-breaker is recommended. To prevent accidents, it must remain open in case of manipulation of the device.
- Keep the device away from water (condensation over the device included) and do not cover it with clothes, paper or any other material while in use.
-  The WEEE logo means that this device contains electronic parts and it must be properly disposed of by following the instructions at <http://zennio.com/wEEE-regulation>.