

### FEATURES

- 2 different configurable outputs: shutter channel (up to 1) and individual outputs (up to 2)
- Outputs suitable for capacitive loads, maximum 140 µF
- Supports KNX Data Secure
- 5 analog/digital inputs
- Manual output operation with push button and LED status indicator
- 10 logic functions
- Output timing
- 4 thermostats
- Total data saving on KNX bus failure
- Integrated KNX BCU (TP1-256)
- Dimensions 67 x 90 x 36 mm (2 DIN units)
- DIN rail mounting according to IEC 60715 TH35, with fixing clamp
- Possibility of connecting different phases in adjacent outputs
- Conformity with the CE, UKCA, RCM directives (marks on the right side)

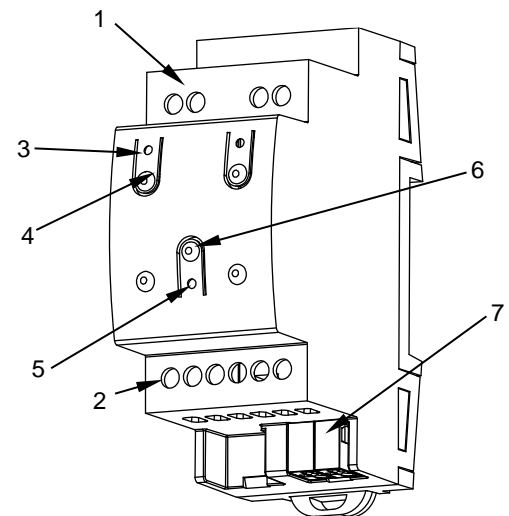


Figure 1: MINiBOX 25 v3

|                          |                            |                                |                          |
|--------------------------|----------------------------|--------------------------------|--------------------------|
| 1. Analog/Digital inputs | 2. Outputs                 | 3. Output status LED indicator | 4. Output control button |
| 5. Programming/test LED  | 6. Programming/test button | 7. KNX Connector               |                          |

Programming/Test button: short press to set programming mode. If this button is held while plugging the device into the KNX bus, it enters the safe mode. If this button is held for more than 3 seconds, the device enters the test mode. In order to perform a KNX Secure factory reset, while the device is in safe mode, press the button for 10 seconds until the programming LED changes its state.

Programming/Test LED: programming mode indicator (red). When the device enters the safe mode, it blinks (red) every half second. The test mode is indicated by the green color. During the start-up (reset or after KNX bus failure) and if the device is not in safe mode, it starts a blue blinking sequence.

### GENERAL SPECIFICATIONS

| CONCEPT   |                     | DESCRIPTION  |     |       |
|---|---------------------|--|-----|-------|
| Type of device                                    |                     | Electric operation control device  |     |       |
| KNX supply  | Voltage (typical)   | 29 VDC SELV  |     |       |
|   | Voltage range       | 21-31 VDC  |     |       |
|   | Maximum consumption | Voltage  | mA  | mW    |
|   |                     | 29 VDC (typical)   | 4.6 | 133.4 |
| 24 VDC <sup>1</sup>                               | 10                  | 240  |     |       |
| Connection type                                   |                     | Typical TP1 bus connector for 0.8 mm Ø rigid cable   |     |       |
| External power supply                             |                     | Not required   |     |       |
| Operation temperature                             |                     | 0 .. +55 °C  |     |       |
| Storage temperature                               |                     | -20 .. +55 °C  |     |       |
| Operation humidity                                |                     | 5 .. 95%   |     |       |
| Storage humidity                                  |                     | 5 .. 95%   |     |       |
| Complementary characteristics                     |                     | Class B  |     |       |
| Protection class / Overvoltage category           |                     | II / III (4000 V)  |     |       |
| Operation type                                    |                     | Continuous operation   |     |       |
| Device action type                                |                     | Type 1   |     |       |
| Electrical stress period                          |                     | Long   |     |       |
| Degree of protection / Pollution degree           |                     | IP20 / 2 (clean environment)   |     |       |
| Installation                                      |                     | Independent device to be mounted inside electrical panels with DIN rail (IEC 60715)                              |     |       |
| Minimum clearances                                |                     | Not required   |     |       |
| Response on KNX bus failure                       |                     | Data saving according to parameterization  |     |       |
| Response on KNX bus restart                       |                     | Data recovery according to parameterization  |     |       |
| Operation indicator                               |                     | The programming LED indicates programming mode (red) and test mode (green). Each output LED indicates its status |     |       |
| Weight  |                     | 78 g   |     |       |
| PCB CTI index                                     |                     | 175 V  |     |       |
| Housing material / Ball pressure test temperature |                     | PC FR V0 halogen free / 75 °C (housing) - 125 °C (connectors)  |     |       |

<sup>1</sup> Maximum consumption in the worst-case scenario (KNX Fan-In model).

| OUTPUTS SPECIFICATIONS AND CONNECTIONS         |   |         |
|--|---|---------|
| CONCEPT  | DESCRIPTION   |         |
| Number of outputs                              | 2   |         |
| Output type / Disconnection type               | Potential-free outputs through bistable relays with tungsten pre-contact / Micro-disconnection  |         |
| Rated current per output                       | AC 16(6) A @ 250 VAC (4000 VA)<br>DC 7 A @ 30 VDC (210 W)   |         |
| Maximum load per output                        | Resistive   | 4000 W  |
|  | Inductive   | 1500 VA |
| Maximum inrush current                         | 800 A/200 µs<br>165 A/20 ms   |         |
| Connections in adjacent outputs                | Possibility of connecting different phases. It is not allowed to connect power supplies of different order, SELV with NO SELV, in the same block. |         |
| Total maximum current in device                | 20 A  |         |
| Short-circuit protection                       | NO  |         |
| Overload protection                            | NO  |         |
| Connection method                              | Screw terminal block (0.5 Nm max.)  |         |
| Cable cross-section                            | 0.5-4 mm <sup>2</sup> (IEC) / 20-12 AWG (UL)  |         |
| Outputs per common                             | 1   |         |
| Maximum response time                          | 10 ms   |         |
| Mechanical lifetime (min. cycles)              | 3 000 000   |         |
| Electrical lifetime (min. cycles) <sup>1</sup> | 100000 @ 8 A / 25000 @ 16 A (VAC)   |         |

<sup>1</sup> Lifetime values could change depending on the load type.

| INPUTS SPECIFICATIONS AND CONNECTIONS |  |
|---------------------------------------|--|
| CONCEPT                               | DESCRIPTION                                    |
| Number of inputs                      | 5  |
| Inputs per common                     | 1  |
| Operation voltage                     | +3.3 VDC in the common                         |
| Operation current                     | 1 mA @ 3.3 VDC (per input)                     |
| Switching type                        | Dry voltage contacts between input and common  |
| Connection method                     | Screw terminal block (0.4 Nm max.)             |
| Cable cross-section                   | 0.5-2.5 mm <sup>2</sup> (IEC) / 26-12 AWG (UL) |
| Maximum cable length                  | 30 m   |
| NTC probe length                      | 1.5 m (extensible up to 30 m)                  |
| NTC accuracy (@ 25 °C) <sup>2</sup>   | ±0.5 °C  |
| Temperature resolution                | 0.1 °C   |
| Maximum response time                 | 10 ms  |

<sup>2</sup> For Zennio temperature probes.

## WIRING DIAGRAMS

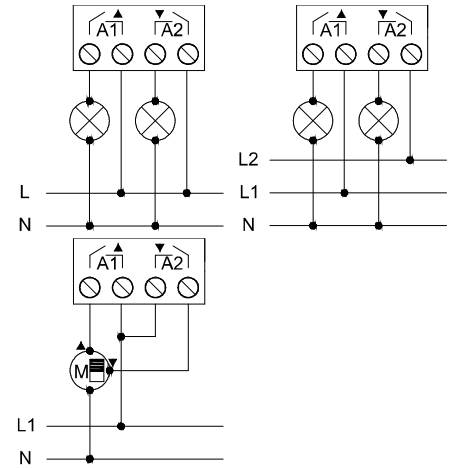
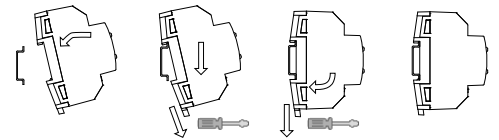


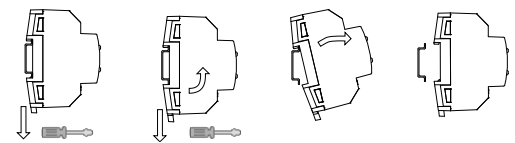
Figure 2: Wiring example (from left to right, and up to down): 2 loads, 2 loads connected to different phases and shutter

⚠ In order to ensure the expected status of the relays, please check that the device is connected to the KNX bus before energizing the power circuit.

Attaching MINiBOX 25 v3 to DIN rail:



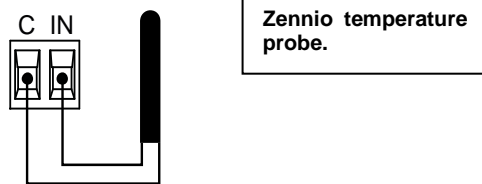
Removing MINiBOX 25 v3 from DIN rail:



## INPUTS CONNECTION

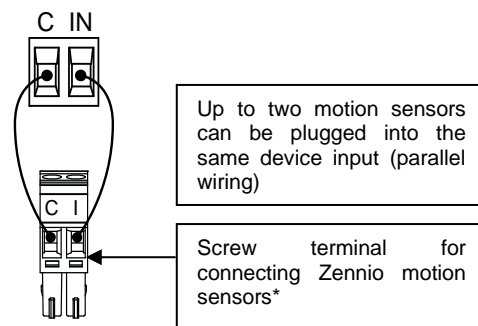
Any combination of the following accessories is allowed on the inputs:

### Temperature Probe\*\*



⚠ Commons of different devices must not be connected together.

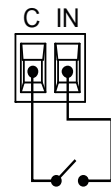
### Motion Sensor



Up to two motion sensors can be plugged into the same device input (parallel wiring)

Screw terminal for connecting Zennio motion sensors\*

### Switch/Sensor/ Push button



\* In case of using ZN1IO-DETEC-P sensor, its micro switch number 2 must be in **Type B** position.

\*\* Zennio temperature probe or any NTC with known resistance values at three points in the range [-55, 150 °C].

## SAFETY INSTRUCTIONS AND ADDITIONAL NOTES

- Installation should only be performed by qualified professionals according to the laws and regulations applicable in each country.
- Do not connect the mains voltage nor any other external voltage to any point of the KNX bus; it would represent a risk for the entire KNX system. The facility must have enough insulation between the mains (or auxiliary) voltage and the KNX bus or the wires of other accessories, in case of being installed.
- Once the device is installed (in the panel or box), it must not be accessible from outside.
- Keep the device away from water (condensation over the device included) and do not cover it with clothes, paper or any other material while in use.
- The WEEE logo means that this device contains electronic parts and it must be properly disposed of by following the instructions at <https://www.zennio.com/en/legal/weee-regulation>.
- This device contains software subject to specific licences. For details, please refer to <https://zennio.com/licenses>.