

FEATURES

- Intermediate TV + R (8300014), End-of-line TV + R (8300040), and End-of-line TV/R + SAT (8300048) insert.
- Available cover colours (sold separately, with reference 83000150X, where X = colour):
 - Anthracite (X=5)
 - Silver (X=6)
 - Gloss white (X=8)
 - Matt white (X=9)
- Flush fitting with ZS55 series 1 to 4-gang frames (sold separately, with reference 980000Y0X, where Y = number of gangs, X = colour)
- IEC male Connector for TV and IEC female for FM radio
- Only for reference 8300048: IEC male for FM radio and terrestrial TV and IEC female for Satellite TV (FI)
- Dimensions 55 x 55 x 22.7 mm
- Low profile: the decorative frame protrudes 9.5 mm from the wall
- Flush-mounted installation

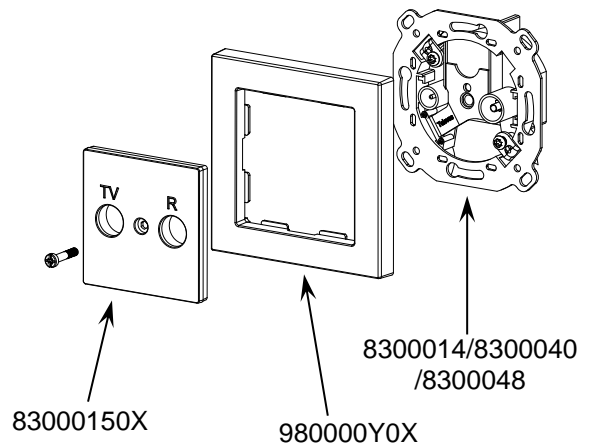


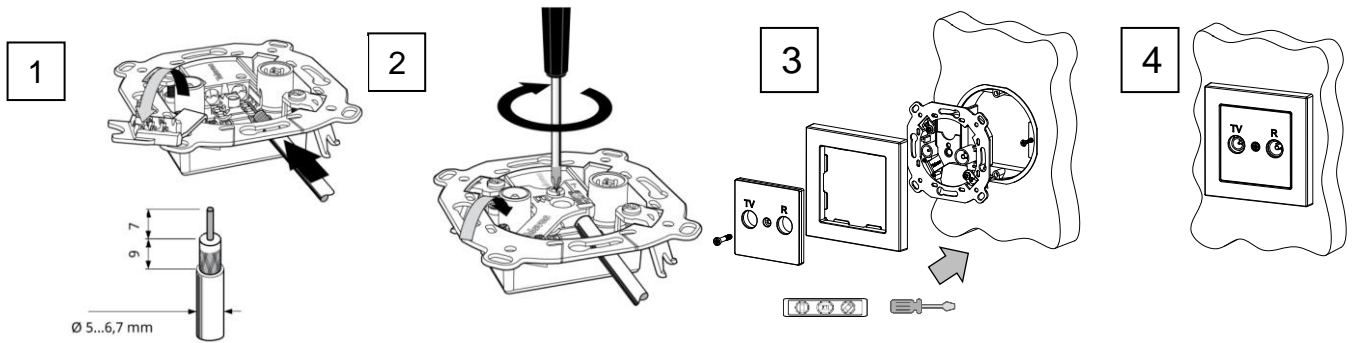
Figure 1. TV+R outlet

GENERAL SPECIFICATIONS					
CONCEPT		DESCRIPTION			
Cable diameter		5 to 6.7 mm			
Model:		8300014	8300040	8300048	
Output:		R/TV	R/TV	R/TV	SAT
Insertion losses (typ. dB)	MATV 5-862 MHz	2	-	-	-
	SAT-FI 950-2400 MHz	2.5	-	-	-
Derivation losses (typ. dB)	MATV 5-862 MHz	TV: 11 / R: 29	TV: 4.5 / R: 18	1	-
	SAT-FI 950-2400 MHz	-	-	-	1.5
DC pass		-	-	SAT → IN	
Operation temperature		0 .. +40 °C			
Storage temperature		-20 .. +55 °C			
Operation humidity		5 .. 95% RH			
Storage humidity		5 .. 95% RH			
Degree of protection		IP20, clean environment			
Installation		Independent device to be installed in back boxes			
Weight		104 g			
Housing material		PC+ABS FR V0 halogen free			

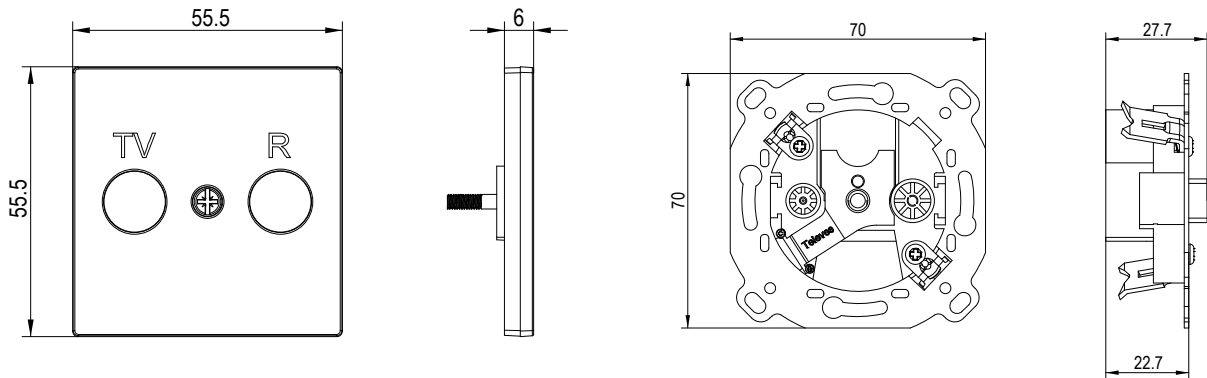
INSTALLATION INSTRUCTIONS

1. Prepare the cable/s as indicates the figure 1 and insert it/them in its location.
2. Close the folding cover and fix it by means of the screw (0.3 Nm max.).
3. Fix the insert into a square or round flush back box by using the screws from the box. Check that the plate is correctly leveled.
4. Fix the decorative frame and the cover into its final position by means of the screw (0.3 Nm max.).

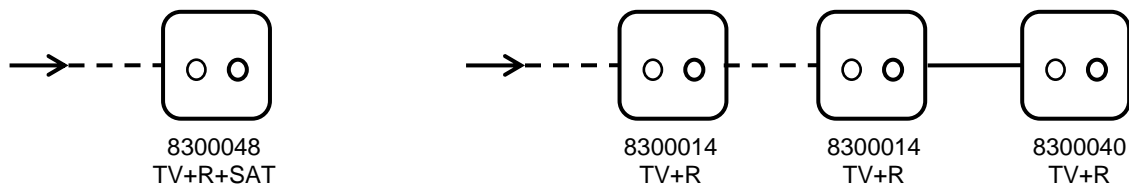
To remove it, proceed the reverse way considering that to disconnect the cable it is necessary to press though the hole foreseen for that purpose.



DIMENSIONS (mm)



WIRING DIAGRAMS



SAFETY INSTRUCTIONS AND ADDITIONAL NOTES

- Installation should only be performed by qualified professionals according to the laws and regulations applicable in each country.
- Keep the device away from water (condensation over the device included) and do not cover it with clothes, paper or any other material while in use.



- The WEEE logo means that this device contains electronic parts and it must be properly disposed of by following the instructions at <https://www.zennio.com/en/legal/weee-regulation>.