

ACCESSORIES:

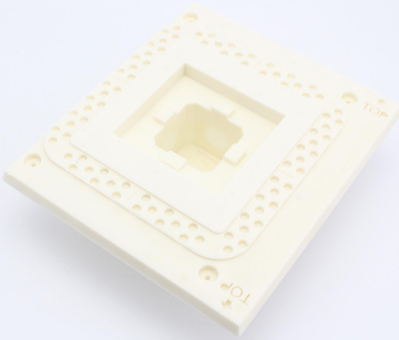
The Intensity can be completed by using accessories.

TRIMLESS WALLBOX

TRIM_SWITCHMCWINV124_BC (brick or concrete/metal, corian or wood),
 TRIM_SWITCHMCWINV124_P (plasterboard/metal, corian or wood),
 TRIM_SWITCHGS124_BC (brick or concrete/glass or stone),
 TRIM_SWITCHGS124_P (plasterboard/glass or stone).

The switch is surface mount, but can be **made 100% recessed** with the **Trimless Wallbox** delivered by Xillo®. The fixture is in one piece and completely made of the **solid patented composite**, so no need for an extra mounting kit. Easily install this wallbox in the wall thanks to the **pre-drilled holes**. The unique layered design and the **handy indicators for laser positioning**, make sure that every fixture is **easy to plaster**. In addition, the typical Xillo® pattern and large mounting surface ensure that the plaster is always perfectly fixated.

See our **Trimless Switch Wallbox data sheet** for further information.



TRIM_SWITCHMCW124INV

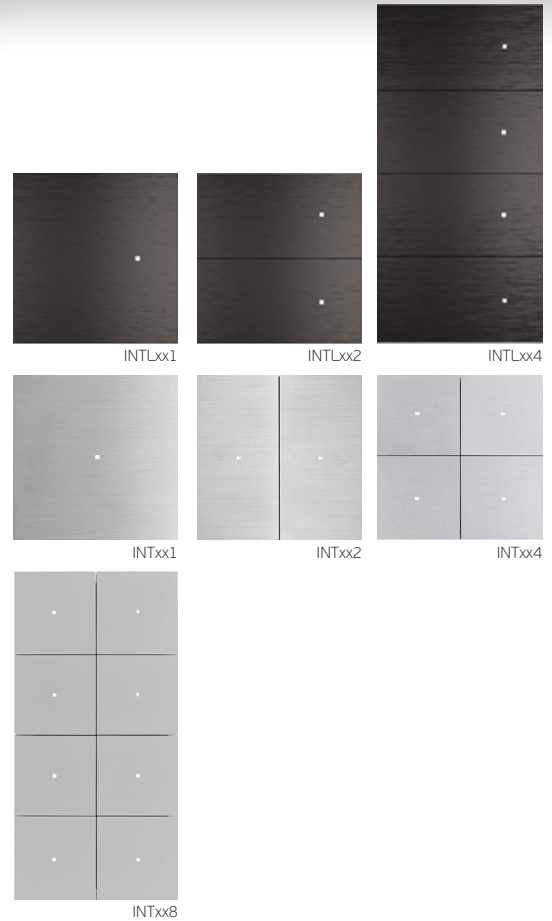


KNX_INTAW4 & TRIM_SWITCH

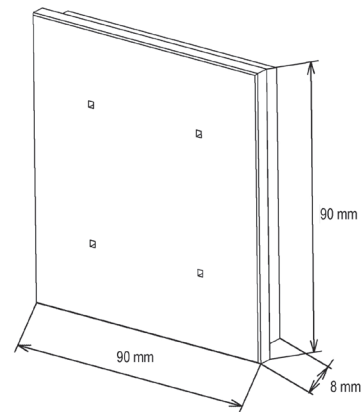
CUSTOMIZATIONS:

Would you like to **personalize** your **products** permanently with inscriptions, logos and/or symbols? All Tense finishes are suitable for these customizations. **Engraving, printing, lasering...** are some of the available options.

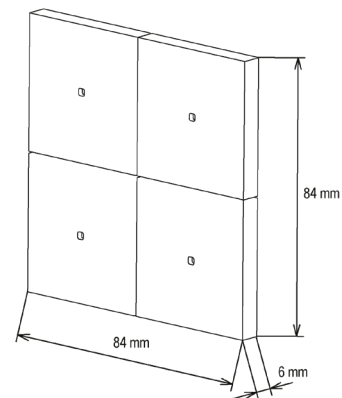
See our **Customizations data sheet** for further explanation.



The Intensity series complies of 7 different touch-pad combinations in two product lines: The Intensity and Intensity Landscape. See our **Intensity Landscape data sheet** for further information.



Drawing Intensity Glass/Stone 4F



Drawing Intensity Metal 4F

SPECIAL FINISHES:

INTENSITY PAINTABLE

KNX_INTP4

Do you like to subtly integrate your switch in your interior? Just **paint** this finish plate and the switch is **almost invisible**. This front is made of a special **composite** material which can easily be painted in any colour matching your interior. For protecting the switch, a matt **water-based varnish** can be sprayed over the paint.



INTENSITY WALLPAPER

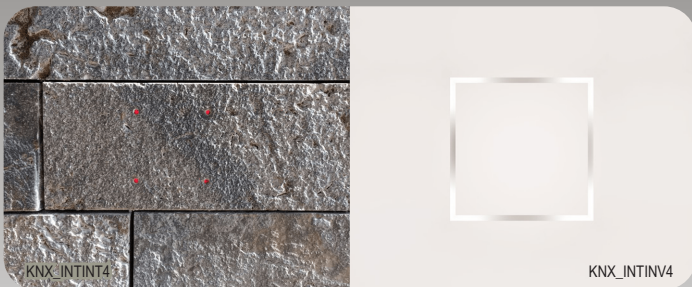
KNX_INTWP4

This front is made of a special **composite** material and the **sides** can easily be **painted** in any colour, matching the wall or interior. **Wallpaper**, wood veneer, leather, fish skin, cork and other materials of a thickness up to 0,5 mm can be **glued** in the cut-out.

INTENSITY INTEGRATED

KNX_INTINT

Tense can provide you the **electronics** to be placed behind a glass, Corian®, stone, ceramic or wooden wall. Furthermore, we can guide you with the instructions and dimensions regarding the **cut-out at the back of these materials**.



INTENSITY INVISIBLE

KNX_INTINV

Want to lift your switch to another level of **integration**? Then opt for the **Intensity Invisible** from Tense. Thanks to the combination of the **Xillo® Trimless wallbox** & the durable **composite** material, an in-wall switch is created which is elegant, stylish and nearly **invisible**. This switch can be easily finished in any colour and type of paint of your liking.

See the relevant data sheets for more information about each of our special finishes.

FINISHES

1F, 2F, 8F available in Corian, Glass and all Metal finishes.
4F available in all finishes.

Aluminium:

Alu (brushed)	KNX_INTA
Forged Alu	KNX_INTFA
Alu Black (brushed)	KNX_INTAB
Forged Alu Black	KNX_INTFAB
Alu Dark Grey (brushed)	KNX_INTADG
Forged Alu Dark Grey	KNX_INTFADG
Alu White (RAL 9016)	KNX_INTAW
Alu RAL (on request)	KNX_INTARAL

Bronze:

Bronze	KNX_INTB
Forged Bronze	KNX_INTFB
Bronze Light	KNX_INTBL
Forged Bronze Light	KNX_INTFBL

Metal:

Chrome (polished)	KNX_INTCH
Stainless Steel (brushed)	KNX_INTSS
Forged Stainless Steel	KNX_INTFSS
Forged Steel	KNX_INTFS
Brushed Gold	KNX_INTBG
Forged Gold	KNX_INTFG
Brushed Copper Rose	KNX_INTBCR
Forged Copper Rose	KNX_INTFCR

Corian:

Corian Black	KNX_INTCB
Corian White	KNX_INTCW
Corian RAL	KNX_INTCRAL

Glass:

Glass Black (RAL 9017)	KNX_INTGB
Glass Silver (RAL 7001)	KNX_INTGS
Glass White (RAL 9016)	KNX_INTGW

Stone:

Belgian Blue	KNX_INTSBB
Calacatta Marble	KNX_INTSCM
Carrara Bianco Marble	KNX_INTSCBM
Ceppo Di Gres Limestone	KNX_INTSCDGL
Emperador Grey Marble	KNX_INTSEGM
Emperador Marron Marble	KNX_INTSEMM
French White	KNX_INTSEFW
Oak White Marble	KNX_INTSOWM

Wood:

Afromosia	KNX_INTWAF
Ash	KNX_INTWAS
Oak Cotton White	KNX_INTWOCW
Oak Dark	KNX_INTWOD
Oak Pura Natura	KNX_INTWOPN
Padouk	KNX_INTWPA
Walnut	KNX_INTWWA
Wenge	KNX_INTWWE