

ADDITIONAL  
SECURITY & COMFORT  
FOR OUTDOOR AREAS

# Motion Detector with Brightness Sensor – outdoor

HmIP-SMO-2 | HmIP-SMO-A-2

You will never be left in the dark: The reliable motion detector with weatherproof housing and extra-long battery lifetime monitors the outdoor area, switches lights on or triggers an alarm when motion is detected. The flexible and compact housing design allows the sensor to be individually adapted to the surrounding.

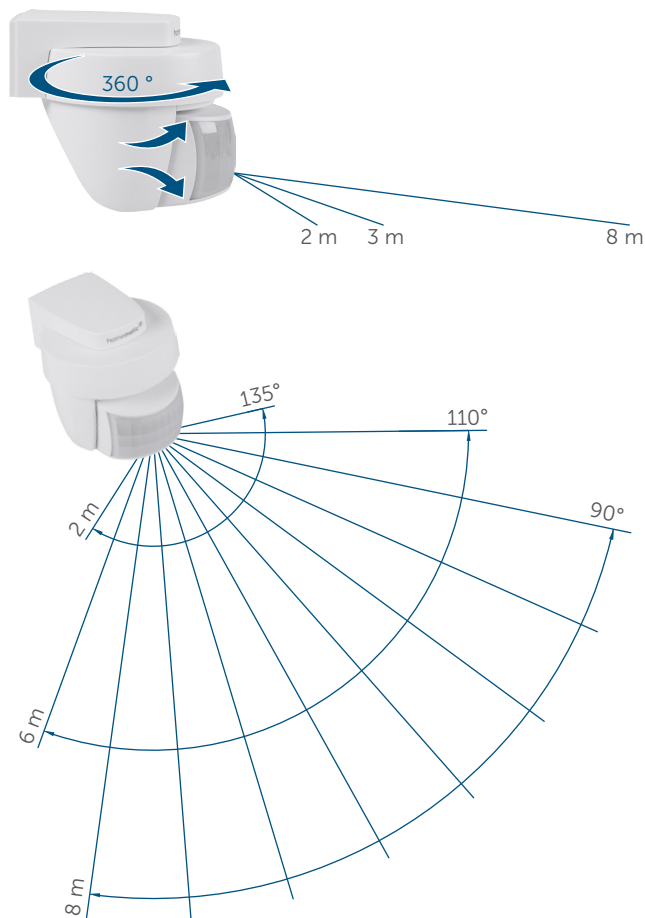


homematic <sup>IP</sup>  
Smart living, simply comfortable

## POWERFUL DURING THE DAY AND NIGHT

The high-performance lens with a detection range of up to 8 m immediately detects movements, ensuring smart and reliable motoring of outdoor areas. The 360° rotating sensor allows for exact monitoring of desired areas.

The integrated brightness sensor makes precise switching of lights possible, no matter if in the dark or at dusk. Even on cloudy days the sensor can exactly differentiate the brightness values. Brief changes in the level of brightness are filtered out.



## ALL THE INFORMATION AT A GLANCE

The Homematic IP app provides a current overview of the smart home to ensure a secure feeling even when you are on the move. If motion is detected while the protection mode is activated, a push-notification is sent to the users' smartphone immediately. Also, an alarm message is displayed via app.

## FLEXIBLE MOUNTING WITHOUT CABLING

Battery operation and radio communication offer installation of the device at any installation site. Thanks to the wide temperature range of -20 to +55 °C and the weatherproof housing (IP44), the motion detector offers installation in outdoor areas or garages, for example.

## FAIL-SAFE AND RELIABLE

Alarms are triggered even without Internet or cloud connection due direct communication between the devices. Even if the Access Point is destroyed, by a burglar for example, the other devices remain active.

## EXTRA-LONG BATTERY LIFE

With two mignon-batteries, a battery life of typically 6 years is achieved, offering low-maintenance work for the device.

## ADJUSTMENT OF TRIGGERING BEHAVIOUR

Both the brightness values as well as the switch-on time can be set individually via the Homematic IP app.

## TECHNICAL SPECIFICATIONS

Supply voltage	2x 1.5 V LR6/mignon/AA
Current consumption	40 mA max.
Battery life	6 years (typ.)
Degree of protection	IP44
Ambient temperature	-20 to +55 °C
Dimensions (W x H x D)	76 x 74 x 90 mm
Weight	170 g (including batteries)
Radio frequency band	868.0-868.6 MHz 869.4-869.65 MHz
Typ. open area RF range	230 m
Detection range	8 m
Detection angle horizontal	90°

## LOGISTICAL DATA

Version	White	Anthracite
Product reference	156203A0	156227A0
EAN code	4047976562039	4047976562275
Short description	HmlIP-SMO-2	HmlIP-SMO-A-2
Packing unit	45	45
Packing dimensions	122 x 112 x 97 mm	122 x 112 x 97 mm
Weight incl. packaging	303.6 g	303.6 g

## PACKAGE CONTENTS

Homematic IP Motion Detector with Brightness Sensor - outdoor  
Screws (2x) and plugs (2x)  
1.5 V LR6/mignon/AA batteries (2x)  
User manual