

SMART EXPANSION
FOR CONVENIENT
CONTROL OF BLINDS

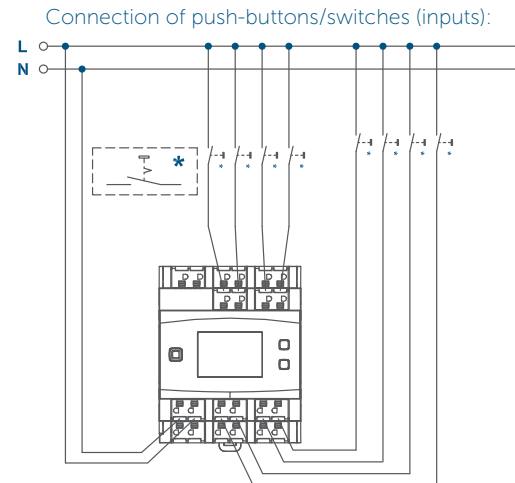
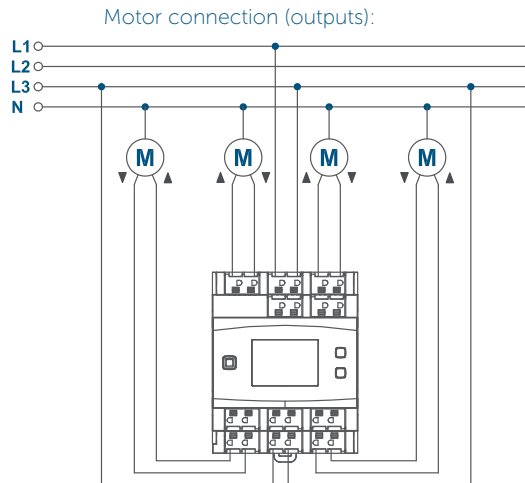
Blind Actuator for DIN rail mount – 4 channels

HmIP-DRBLI4

Controls up to four blinds, shutters or awnings from the distribution board: The solid housing design offers professional and easy installation to standard DIN rails. A wide range of control options for shading elements are then available directly via standard 230 V push-buttons, wirelessly via Homematic IP buttons or remote controls, and even via the smartphone app at any time.



homematic 
Smart Living, Simply Exciting.



SMART CONTROL FOR SHUTTERS AND BLINDS

Move up to four connected blinds, shutters or awnings up and down via individual channels for greater convenience and security in a smart home.

SMART CONTROL AT ALL TIMES

With configurable time profiles, blinds are moved up or down automatically and can thus be adapted to the inhabitants' daily routines. You can control your blinds or shutters either on the move via smartphone, manually using the installed push-buttons or even via voice control.

Operation requires connection to one of the following solutions:

- Homematic IP Access Point with free smartphone app and free cloud service
- Third-party solutions of partners

TECHNICAL SPECIFICATIONS

Supply voltage	230 V~/50 Hz
Standby power consumption	280 mW typically (display lights off)
Load type	motor load (M)
Relay	changeover contact, μ contact
Switching voltage	230 V~
Current carrying capacity (channel)	2.2 A
Cable type and cross section	rigid and flexible cable, 1.5-2.5 mm ²
Installation	on a mounting rail (DIN rail) according to EN 60715
Degree of protection	IP20
Ambient temperature	-5 to +40 °C
Dimensions (W x H x D)	72 x 90 x 69 mm (4 WM width)
Weight	256 g
Radio frequency band	868.0-868.6 MHz 869.4-869.65 MHz
Typ. open area RF range	190 m

BLIND CONTROL DEPENDING ON THE SUN POSITION

Wake up feeling relaxed in the morning or secure your home in the evening: Blinds can be controlled automatically based on sunrise and sunset. Intelligent heat protection prevents rooms from overheating in the summer with automatic shutter control.

EASY TO INSTALL

Connection to rigid or flexible cables is particularly easy thanks to the spring-loaded terminals. Each channel can be connected to a different phase. The device provides independent control of each individual channel. Even without programming, the function and cabling can be checked directly on the device during installation thanks to the illuminated display and the device buttons.

ADDED VALUE FOR A SMART HOME

Also suitable for expansions of the building (e.g. attics) and retrofitting. Easy installation into the distribution board. No intervention is required on the existing installation within the room. Existing switches and buttons can simply continue to be used. Suitable for all standard tube motors.

LOGISTICAL DATA

Product reference	154362A0
EAN code	4047976543625
Short description	HmIP-DRBLI4
Packing unit	45
Packing dimensions	122 x 112 x 97 mm
Weight incl. packaging	427 g

PACKAGE CONTENTS

Homematic IP Blind Actuator for DIN rail mount – 4 channels
User manual