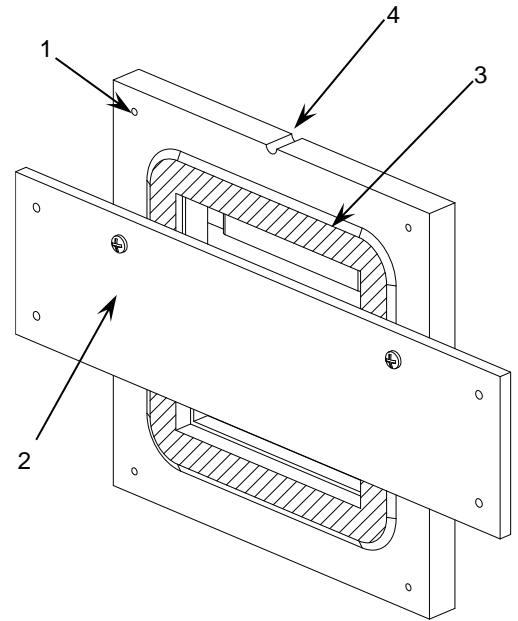


FEATURES

- Suitable for drywalls (thickness: 13 to 18mm)
- Material: Waterproof Medium Density Fibreboard
- Dimensions: 147 x 147 x 10.8 mm
- Not suitable for mounting on fire sector limit walls
- Compatible with Flat X vx and IWAC Display vx devices.

Note: The device loses the internal temperature probe functionality and any acoustic functionality



1. Flush mounting accessory

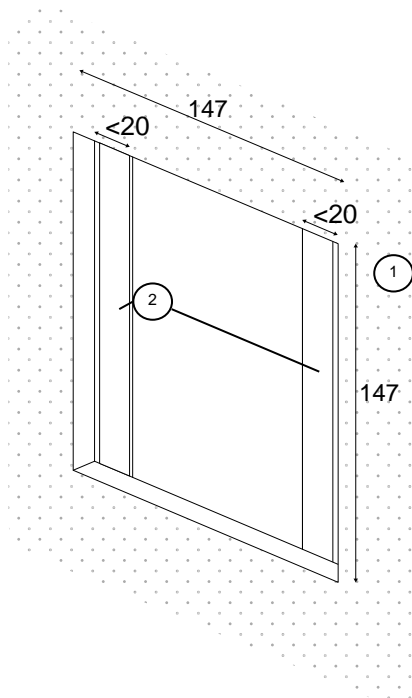
2. Auxiliary mounting part (disposable)

3. Even surface

4. Orientation mark

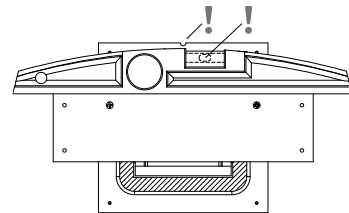
MOUNTING INSTRUCTIONS

1 Make the square hole in the drywall (1) and install the profiles (2) along the borders of the hole considering the device orientation. The profiles must not rise above the hole more than 20mm.

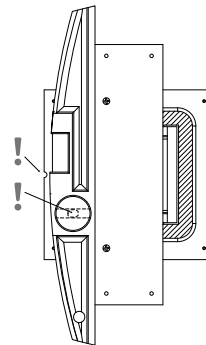


2 Place the accessory into the hole and adjust the exact horizontal (or vertical) position with the help of a level.

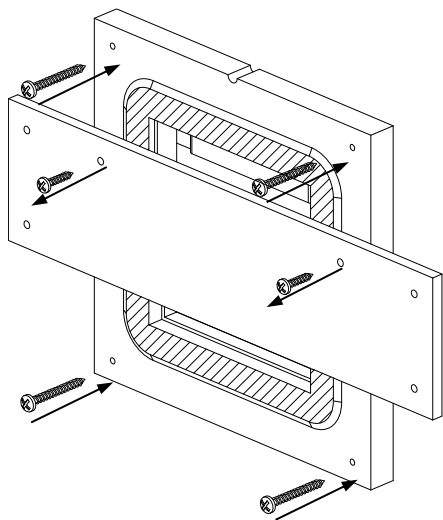
Vertical



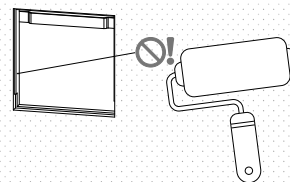
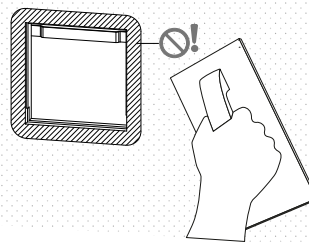
Horizontal



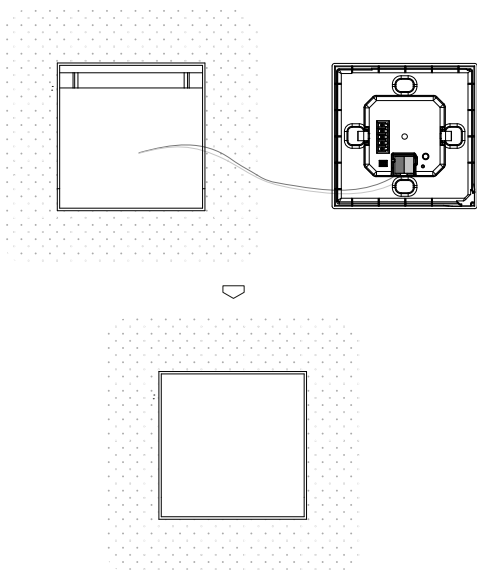
3 Fix the accessory to the dry-wall frames with suitable screws (not included). Once fixed, the *auxiliary mounting part* can be removed by taking the two screws off.



4 Plastering works must be done avoiding the *even surface*. Once the plaster is dry, wall painting and finishing works can be done (*accessory internal area must not be painted*)



5 The device can now be connected. Finally, it must be fixed into its definitive position by magnets (using the metal plate).



REMOVAL STEPS

The device can be removed by pressing the device on the bottom area (for vertical installation) or on the right area (for horizontal installation) to make it tilt [1]. Afterwards, it can be removed [2].

