

FEATURES

- RCA audio keystones (reference 8300051 - includes both keystones)
- Available cover colours (sold separately, with reference 83000230X, where X = colour):
 - Anthracite (X=5)
 - Silver (X=6)
 - Gloss white (X=8)
 - Matt white (X=9)
- Flush fitting with ZS55 series 1 to 4-gang frames (sold separately, with reference 980000Y0X, where Y = number of gangs, X = colour)
- The RCA two-insert support is sold separately (reference 8300022)
- The use of fixing clamps is optional. This reference is sold separately (reference ZACZSCLA)
- Dimensions 55.5 x 55.5 x 22.2 mm
- Low profile: it protrudes 9.5 mm from the wall
- Flush-mounted installation

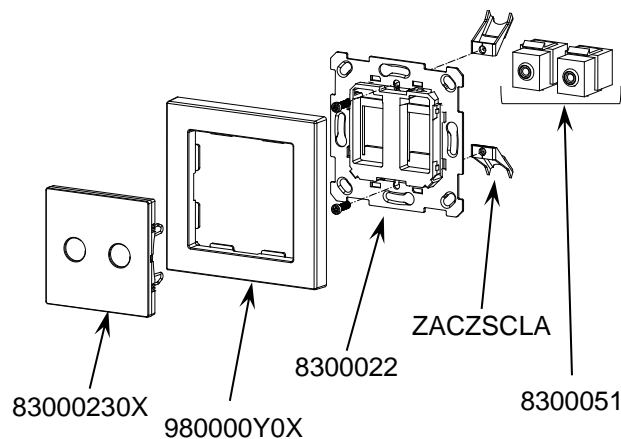


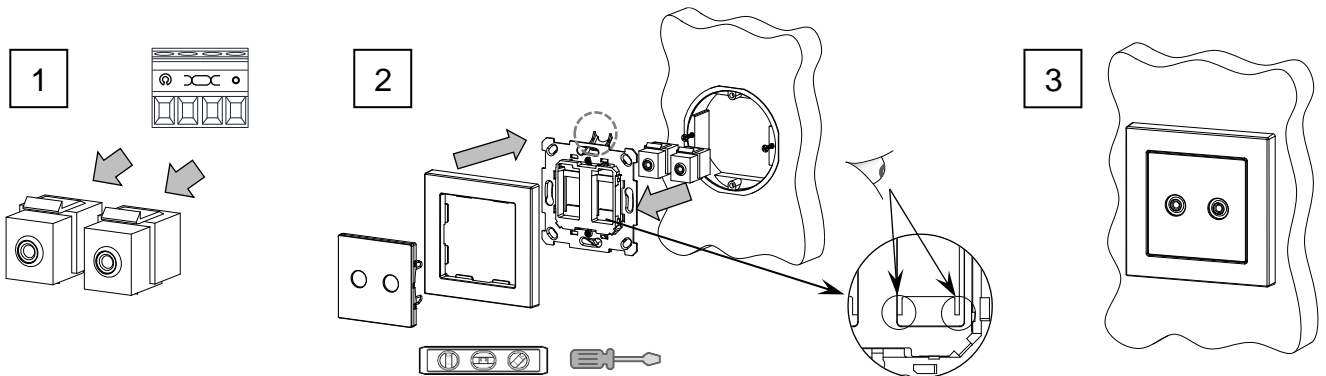
Figure 1. RCA socket

GENERAL SPECIFICATIONS	
CONCEPT	DESCRIPTION
Operation temperature	0 .. +40 °C
Storage temperature	-20 .. +55 °C
Operation humidity	5 .. 95% RH
Storage humidity	5 .. 95% RH
Degree of protection	IP20, clean environment
Installation	Independent device to be installed in back boxes
Weight	33 g
Housing material	PC+ABS FR V0 halogen free

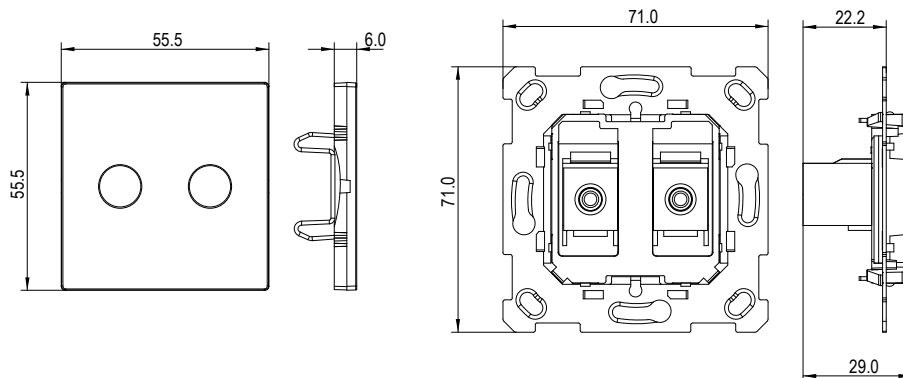
INSTALLATION INSTRUCTIONS

1. Wire the RCA cables to the RCA audio keystones (0.3 Nm max.).
2. Insert each RCA keystone into the support piece by first introducing the rigid clips on the lower part where the two grooves are located (see detail image), and then tilting up the keystone to insert the flexible clip on the upper part. Fix the fixing plate to a square or round flush back box by using the screws from the box (fixing clamps can optionally be used). Check that the plate is correctly levelled.
3. Fix the decorative frame and the cover into their final position, making sure the cover is oriented according with the marks at the backside.

To remove it, proceed the reverse way.



DIMENSIONS (mm)



SAFETY INSTRUCTIONS AND ADDITIONAL NOTES

- Installation should only be performed by qualified professionals according to the laws and regulations applicable in each country.
- Keep the device away from water (condensation over the device included) and do not cover it with clothes, paper or any other material while in use.
- The WEEE logo means that this device contains electronic parts and it must be properly disposed of by following the instructions at <https://www.zennio.com/en/legal/weee-regulation>.

