

FEATURES

- Temperature probe with 0.5 °C accuracy (@25 °C)
 - E: Epoxy.
 - F: Epoxy with additional cover.
 - S: Steel.
- Conformity with CE directives



Figure 1. ZACNTC/E/F/S

GENERAL SPECIFICATIONS - ZACNTCE	
CONCEPT	DESCRIPTION
Operation temperature	-30 °C to +105 °C
Storage temperature	-30 °C to +105 °C
Operation humidity	5 to 95% RH
Storage humidity	5 to 95% RH
Degree of protection	IP67
Thermistor value (@25 °C)	6.8 kΩ
Beta value (K)	B3977
NTC accuracy (@ 25 °C)	±0.5 °C
Weight	17 g
Housing material	Epoxy resin
NTC Probe diameter / length	Ø 2,5 mm / 7 mm
Cable length ¹	3 m
Cable cross-section	0.2 mm ² (IEC) / 26 AWG (UL)

¹ The cable length can be increased considering the input characteristics of the device where the probe will be connected to. See the corresponding device datasheet.

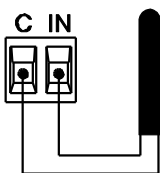
GENERAL SPECIFICATIONS - ZACNTCF	
CONCEPT	DESCRIPTION
Operation temperature	-30 °C to +105 °C
Storage temperature	-30 °C to +105 °C
Operation humidity	5 to 95% RH
Storage humidity	5 to 95% RH
Degree of protection	IP67
Thermistor value (@25 °C)	6.8 kΩ
Beta value (K)	B3977
NTC accuracy (@ 25 °C)	±0.5 °C
Weight	29 g
Housing material	Epoxy resin
NTC Probe diameter / length	Ø 5 mm / 20 mm
Cable length ¹	3 m
Cable cross-section	0.2 mm ² (IEC) / 26 AWG (UL)

¹ The cable length can be increased considering the input characteristics of the device where the probe will be connected to. See the corresponding device datasheet.

GENERAL SPECIFICATIONS - ZACNTCS	
CONCEPT	DESCRIPTION
Operation temperature	-30 °C to +105 °C
Storage temperature	-30 °C to +105 °C
Operation humidity	5 to 95% RH
Storage humidity	5 to 95% RH
Degree of protection	IP67
Thermistor value (@25 °C)	6.8 kΩ
Beta value (K)	B3977
NTC accuracy (@ 25 °C)	±0.5 °C
Weight	47 g
Housing material	Stainless Steel
NTC Probe diameter / length	Ø 6 mm / 50 mm
Cable length ¹	3 m
Cable cross-section	0.2 mm ² (IEC) / 26 AWG (UL)

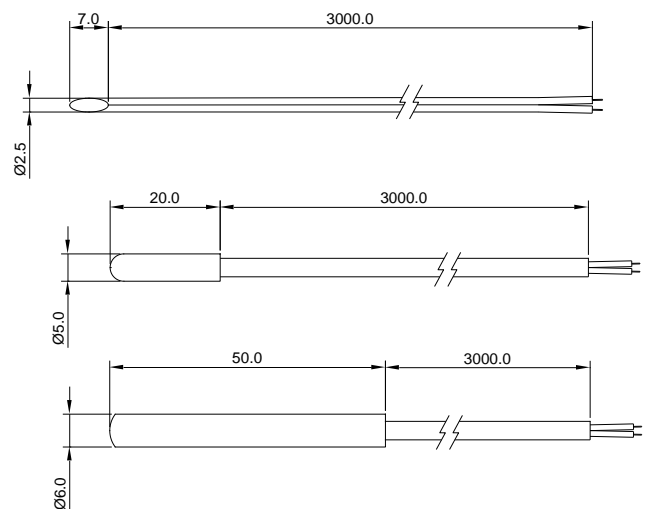
¹ The cable length can be increased considering the input characteristics of the device where the probe will be connected to. See the corresponding device datasheet.

WIRING DIAGRAMS



ZACNTC/E/F/S can be connected to any Zennio device with a temperature probe input, which must be parameterized according to the values provided in this datasheet.

DIMENSIONS (mm)



SAFETY INSTRUCTIONS

- Installation should only be performed by qualified professionals according to the laws and regulations applicable in each country.
- Keep the device away from water and do not cover it with clothes, paper or any other material while in use.
- The WEEE logo means that this device contains electronic parts and it must be properly disposed of by following the instructions at <http://zennio.com/wEEE-regulation>.

