

FEATURES

- Maximum APDU length supported: 220 bytes.
- USB 2.0 with cEMI protocol is supported.
- Secure KNX communication.
- Integrated KNX BCU.
- Dimensions 36 x 94 x 70mm (2 DIN units).
- DIN rail mounting (EN 50022), through pressure.
- Conformity with the CE directives (CE-mark on the back side).

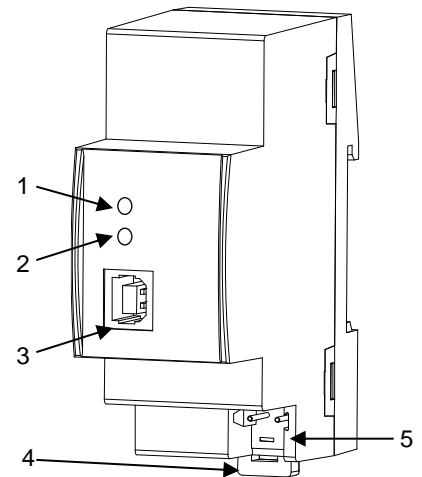


Figure 1. KNX USB SC

Important: To make ETS detect the KNX-USB Interface after connecting it to the PC, it might be necessary to either import its Application Program in ETS or install the driver. Both files can be downloaded from page www.zennio.com: Products > System > KNX USB SC.

1. USB connection indicator LED

2. KNX connection indicator LED

3. USB connector

4. DIN rail anchorage

5. KNX connector

GENERAL SPECIFICATIONS

CONCEPT		DESCRIPTION		
Type of device		Electric operation control device		
KNX supply	Voltage (typical)	29VDC SELV		
	Voltage range	21...31VDC		
	Maximum consumption	Voltage	mA	mW
		29VDC (typical)	5	145
24VDC ⁽¹⁾	10	240		
Connection type		Typical TP1 bus connector for rigid cable 0.80mm Ø		
External power supply		Not required		
Operation temperature		0°C to +45°C		
Storage temperature		-20°C to +55°C		
Operation humidity		5 to 93% RH (no condensation)		
Storage humidity		5 to 93% RH (no condensation)		
Complementary characteristics		Class B		
Protection class		III		
Operation type		Continuous operation		
Device action type		Type 1		
Electrical stress period		Long		
Degree of protection		IP20, clean environment		
Installation		Independent device to be mounted inside electrical panels with DIN rail (EN 50022)		
Minimum clearances		Not required		
Operation indicator		The USB connection indicator LED blinks (green) in the presence of USB communication. The KNX connection indicator LED blinks (green) when KNX communication occurs.		
Weight		60g		
PCB CTI index		175V		
Housing material		PC FR V0 halogen free		

⁽¹⁾ Maximum consumption in the worst case scenario (KNX Fan-In model)

SAFETY INSTRUCTIONS

- Installation should only be performed by qualified professionals according to the laws and regulations applicable in each country.
- Do not connect the mains voltage nor any other external voltage to any point of the KNX bus; it would represent a risk for the entire KNX system. The facility must have enough insulation between the mains (or auxiliary) voltage and the KNX bus or the wires of other accessories, in case of being installed.
- Once the device is installed (in the panel or box), it must not be accessible from outside.
- Keep the device away from water and do not cover it with clothes, paper or any other material while in use.
- The WEEE logo means that this device contains electronic parts and it must be properly disposed of by following the instructions at <http://zennio.com/wEEE-regulation>.

